

Instruction Manual
LXB850-CS
BRUSHLESS DRYWALL SANDER



PLEASE READ THE MANUAL AND KEEP IT IN AN EASY ACCESS PLACE FOR REFERENCE BEFORE INSTALLING, ASSEMBLING AND OPERATING THE MACHINE. USE PERSONAL PROTECTIVE EQUIPMENT AND OBSERVE ALL SAFETY INFORMATION. OPERATE IN DISAGREEMENT WITH THIS MANUAL MAY CAUSE DAMAGE TO THE OPERATOR AND ALSO DAMAGE THE PRODUCT.



GENERAL SAFETY RULES

ATTENTION! Read all instructions carefully. Failure to follow all instructions listed below may result in electric shock, fire and/or serious personal injury.

The term “power tool” in all notices listed below refers to your power tool electric (corded) mains-operated tool or battery-operated (cordless) tool.

Save all warnings and instructions for future reference.

Desktop security

Keep your work area clean and well lit.

Cluttered workplaces and dark areas are more prone to accidents.

Do not operate power tools in explosive atmospheres, such as in the presence of liquids, flammable gases or dust. Power tools create sparks that can ignite dust or vapors.

Keep children and visitors away while operating a power tool. Distractions can cause you to lose control.

Electrical safety

Grounded tools must be plugged into a properly installed and grounded in accordance with all codes and regulations. Never remove the pin grounding or modify the plug in any way. Do not use adapter plugs.

Check with a qualified electrician if you are in doubt as to whether the outlet is properly grounded. If tools malfunction electrically or break, the Grounding provides a low-resistance path to conduct electricity away of user.

Avoid body contact with grounded surfaces such as pipes, radiators, stoves and refrigerators. There is a greater risk of electric shock if your body is grounded.

Do not expose power tools to rain or moisture. Water entering the tool increases the risk of electric shock.

Never use the cord to carry tools or remove the plug from the socket. Keep the cable away from sockets. Keep cord away from heat, oil, sharp edges or moving parts.

Replace damaged cables immediately. Damaged cables increase the risk of shock electric.

When operating a power tool outdoors, use outdoor extension cords marked with “W-A” or “W”. These cables are rated for outdoor use and reduce the risk of shock electric.

If operating a power tool in a humid location is unavoidable, use a power-protected source. residual current device (RCD). Using an RCD reduces the risk of electric shock.

Personal security

Stay alert, watch what you are doing and use common sense when operating a power tool.

Do not use the tool if you are tired or under the influence of drugs, alcohol or medication.

A moment of inattention when operating power tools can result in serious injury.

Use safety equipment. Always wear eye protection. equipment safety equipment such as a dust mask, non-slip safety shoes, hard hat or hearing protection used under appropriate conditions will reduce injury damage if there is an accident.



Avoid accidentally activating the equipment. Make sure the key is off before connecting. Connecting tools with the switch on can cause physical damage, as well as equipment breakdown. Remove adjustment wrenches or switches before turning on the tool. A key left on a rotating part of the tool could result in personal injury. Maintain a safe position and balance at all times. Proper balance and support allow better control of the tool in unexpected situations. Dress appropriately. Do not wear loose clothing or jewelry. Keep your hair, clothes and gloves away from moving parts. Loose clothing, jewelry or long hair can get caught in the moving parts.

Tool use and care

Do not force the tool. Use the correct tool for your application. The correct tool will do work better and more safely at the speed for which it was designed. Do not use the tool if the switch does not turn it on or off. Any tool that cannot be controlled with the switch is dangerous and must be repaired. Disconnect the power supply plug before making any adjustments, changing accessories or store the tool. Such preventive safety measures reduce the risk of turning on the tool accidentally. Store tools out of the reach of children and do not allow unfamiliar people to with the power tool or these instructions operate the tool. The tools are dangerous in the hands of untrained users. Maintain tools carefully. Properly maintained tools have less likely to stall and are easier to control. Keep cutting tools sharp and clean. Maintained cutting tools proper and sharp cutting edges are less likely to bind and are easier of work. Check for misalignment or binding of moving parts, breakage of parts and any other condition that may affect the operation of the tools. If damaged, take tool for maintenance before using it. Many accidents are caused by tools with inadequate maintenance. Use the power tool, accessories and blades, etc., in accordance with these instructions and the manner prescribed for the specific type of power tool, taking into account the working conditions and the work to be performed. The use of the power tool for operations different from those intended could result in serious accidents.

SERVICE

Have your tool serviced by a qualified technician, using only replacement parts identical and original replacement. This will ensure that the safety of the power tool is maintained. If power cord replacement is necessary, this must be done by the manufacturer or your agent to avoid security risks.

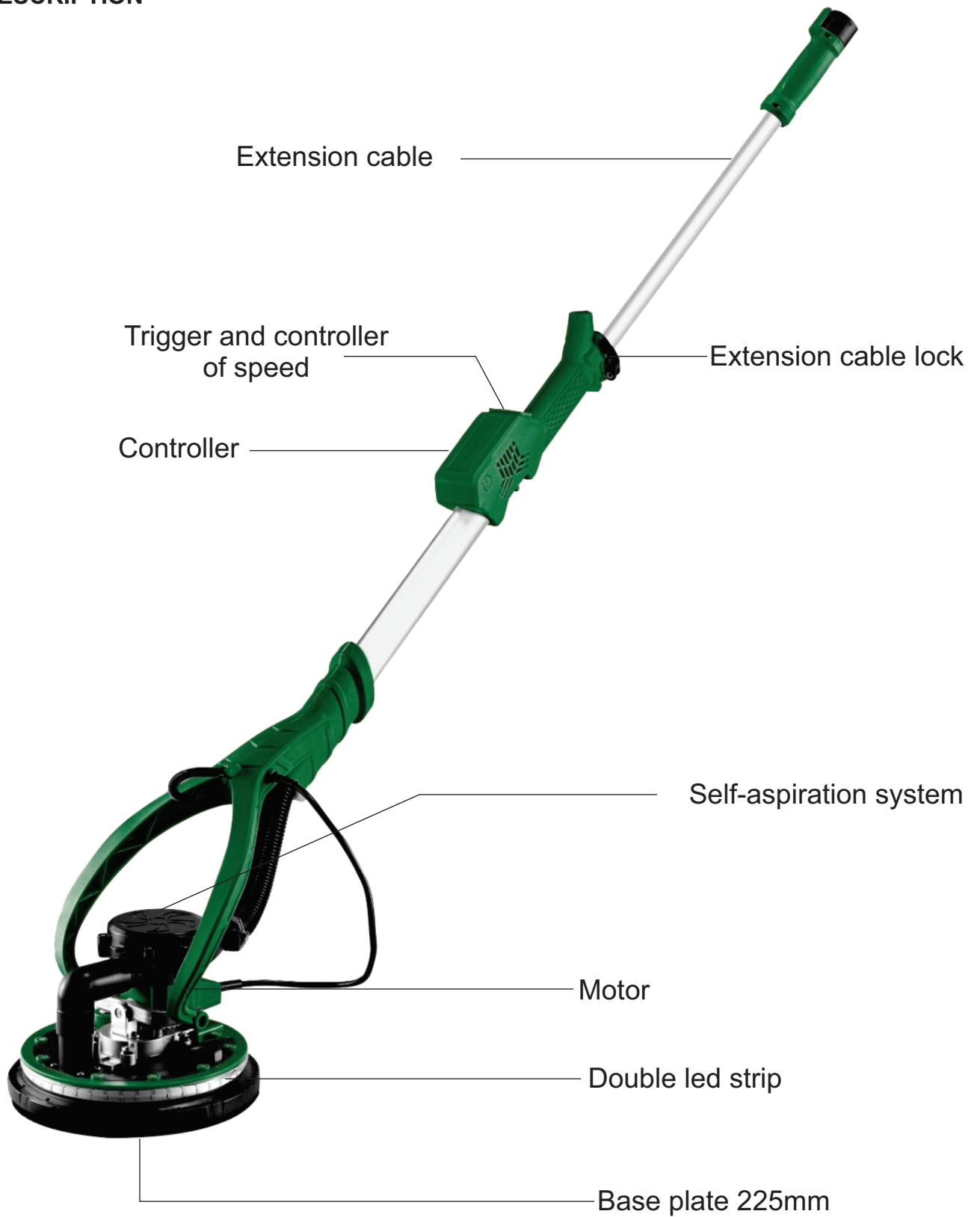
SPECIFIC SAFETY RULES FOR SANDERS:

1. Wear a mask with filters suitable for dusty environments.
2. Work in an area that provides good ventilation or use a dust collector. Continuous and prolonged hours of exposure to high concentrations of dust may affect the functioning of the respiratory system.
3. When operating the sander, maintain balance.
4. When working in high altitude environments, use suitable scaffolding.
5. It is not recommended to sand surfaces with lead-based paint.
6. The sander is a tool that can lead to a build-up of static electricity, therefore, For your safety, it is grounded.

TECHNICAL SPECIFICATIONS

MODEL: LXB850-CS	
Engine type	Brushless
Voltage	220V
Frequency	50-60Hz
Power	850W
Rotation speed	900-2.300RPM
Base diameter	225mm
Noise level	83,1 dB (A)
Uncertainty (noise)	3 dB (A)
Vibration level	2.254m/s ²
Uncertainty (vibration)	1,5m/s ²
Net weight	4Kg

1.DESCRPTION



BRUSHLESS MOTOR

2. OPERATING INSTRUCTIONS

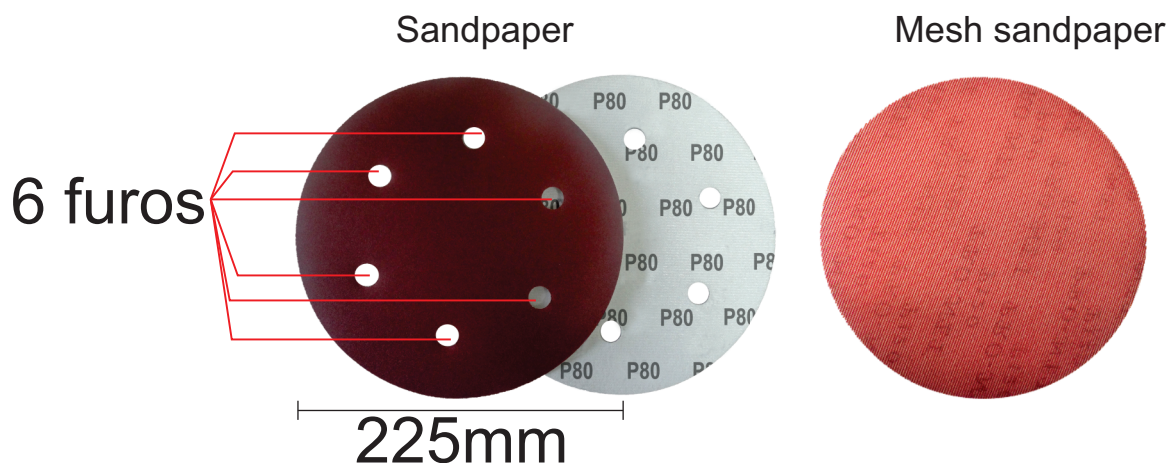
2.1 GETTING STARTED

This sander is designed for sanding walls and ceilings that are dry built or made of plaster. This equipment enables superior and faster finishing than conventional methods, for both construction and renovation.

The time used to clean the sander is reduced due to the fact that it has a bag dust collector attached to it.

2.2 SANDPAPER SELECTION

The sandpaper compatible with this sander model is 225mm diameter paper sandpaper with 6 holes or 225mm mesh sandpaper. To check the available grains of each sandpaper model, go to www.nauber.com or speak to your salesperson.



2.3 HANDLING THE LXB850-CS SANDER CORRECTLY

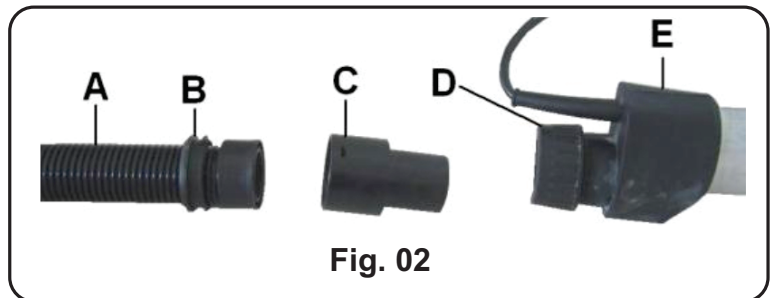
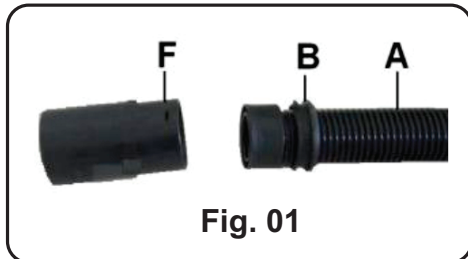
The sander should be operated with both hands firmly holding the handle. The two hands must be positioned along the main cable to enable better handling of the tool.

ATTENTION! Keep your hands on the cord and do not place either hand around the base of the sander while it is rotating. The base of this sander moves in multiple directions and may cause injury.

2.4 CONNECTING THE SANDER TO THE VACUUM CLEANER

The following items come with the LXB850-CS sander:

- * Suction hose - 4m long (includes a standard 38mm connector and a rotary). It has a static dissipator to avoid shocks.
- * Adapter 38mm - 47mm - for suction hose (38mm) and collection bag outlet (47mm).
- * Dust collection bag



2.5 COMPLETE INSTALLATION OF THE SUCTION SYSTEM

1. Connect the dust collection bag to the vacuum system following the dust collector manufacturer's rules vacuum cleaner.

ATTENTION! If an appropriate dust collection bag is not used with this equipment, the level dust in the work environment can affect the respiratory system.

2. Connect the suction hose to the sander (FIGURE 02). Open the connector by turning the nut anticlockwise. Push hose connector into sander handle and seal firmly. Turn the nut clockwise to secure the adapter.
3. Install Velcro straps to prevent entanglement of the sander power cord and the vacuum hose. Place the power cord and vacuum hose parallel to each other. Space the strips at approximately two-foot intervals, starting at two feet of the sander. Wrap the long end of each strap around the power cord and close.
4. Connect the suction hose to the vacuum cleaner: Use the 38mm - 47mm adapter if necessary. If your vacuum cleaner requires a special adapter, contact the vacuum cleaner manufacturer for assistance. know the measurements of the appropriate adapter.

2.6 STARTING AND STOPPING THE SANDER

Make sure the equipment voltage is compatible with your electrical network.

Before connecting the sander to the socket, check that the trigger button is in the OFF position. If it is in the ON position, switch it to the OFF position and only then connect the sander to the outlet.

With the sander plugged into the outlet, push the trigger to the ON position. To turn off the sander switch to the OFF position.

2.7 ADJUSTING THE SPEED

The LXB850-CS sander is equipped with an electronic speed regulator. The speed can be adjusted by turning the control knob. This button varies from 1 to 5, with 1 being the lowest speed and starting at a rotation of approximately 1,000RPM and 5 the fastest (approximately 2,000RPM). Remember that at lower speeds the sander control will be more precise.

2.8 REPLACING THE BRUSH SEGMENT (BROOM)

The brush segment is positioned around the base plate, and has three purposes:

1. The length of the brush segment goes beyond the base plate, therefore, it comes into contact with the surface that will be sanded first, i.e., the brush segment provides stability operation, reducing or eliminating vibrations.
2. The brush segment also assists the self-aspiration system, delimiting the suction area and pulling as much dust as possible into the vacuum cleaner.

ATTENTION!

Before removing or replacing the brush segment, disconnect the sander from the mains.

1. Remove the base plate (SEE HOW TO REPLACE ON THE NEXT PAGE);
2. Using a Phillips screwdriver, remove the six screws and remove the brush segment;
3. Position the new brush segment and replace the six retaining screws;
4. Replace the base plate.

2.9 OPERATING THE LXB850-CS

This sander has an articulated base that can be positioned in various directions, allowing the base plate adapts to the sanding surface. This feature of the LXB850-CS allows sand the top and bottom of walls and ceilings without changing the operator's position.

1. Turn on the vacuum cleaner.

ATTENTION: Use a mask with suitable filters.

2. Position the trigger button in ON mode.
3. Position the sander lightly against the surface to be sanded (forcing the sander may cause excessive wear on components and even engine burnout). The pressure exerted on the sander should be enough to align the base of the equipment with the surface.
4. Apply light additional pressure so that the sandpaper can perform the sanding work and move the sander in circles, this way you will obtain a standardized sanding.

This additional pressure cannot be excessive. Otherwise, the sandpaper will leave scuff marks. swirl on the surface.

Keep the base of the sander constantly moving while the sandpaper is in contact with the surface. Use stable and standardized movements to achieve a good finishing.

Moving the sander base in a disorderly manner or stopping it abruptly on the surface will leave swirl marks.

CAUTION: Do not allow the sander base to come into contact with sharp objects while is working, this will damage the base plate, the brush segment and the sandpaper.



3. REPLACING THE BASE PLATE

ATTENTION!

Before carrying out the following procedures, unplug the sander from the socket.

1. Hold the sander plate and base (pressing the plate against the base) to prevent rotation of the plate.

2. Turn the platter retaining nut counterclockwise and remove it.

3. Pull the metal washer and remove the base plate.

NOTE: When the pad is removed from the sander, the inside of the sander base will be exposed. Note that the inside is covered with an abrasive material. This material is used to prevent allow the base plate to slide over the base housing.

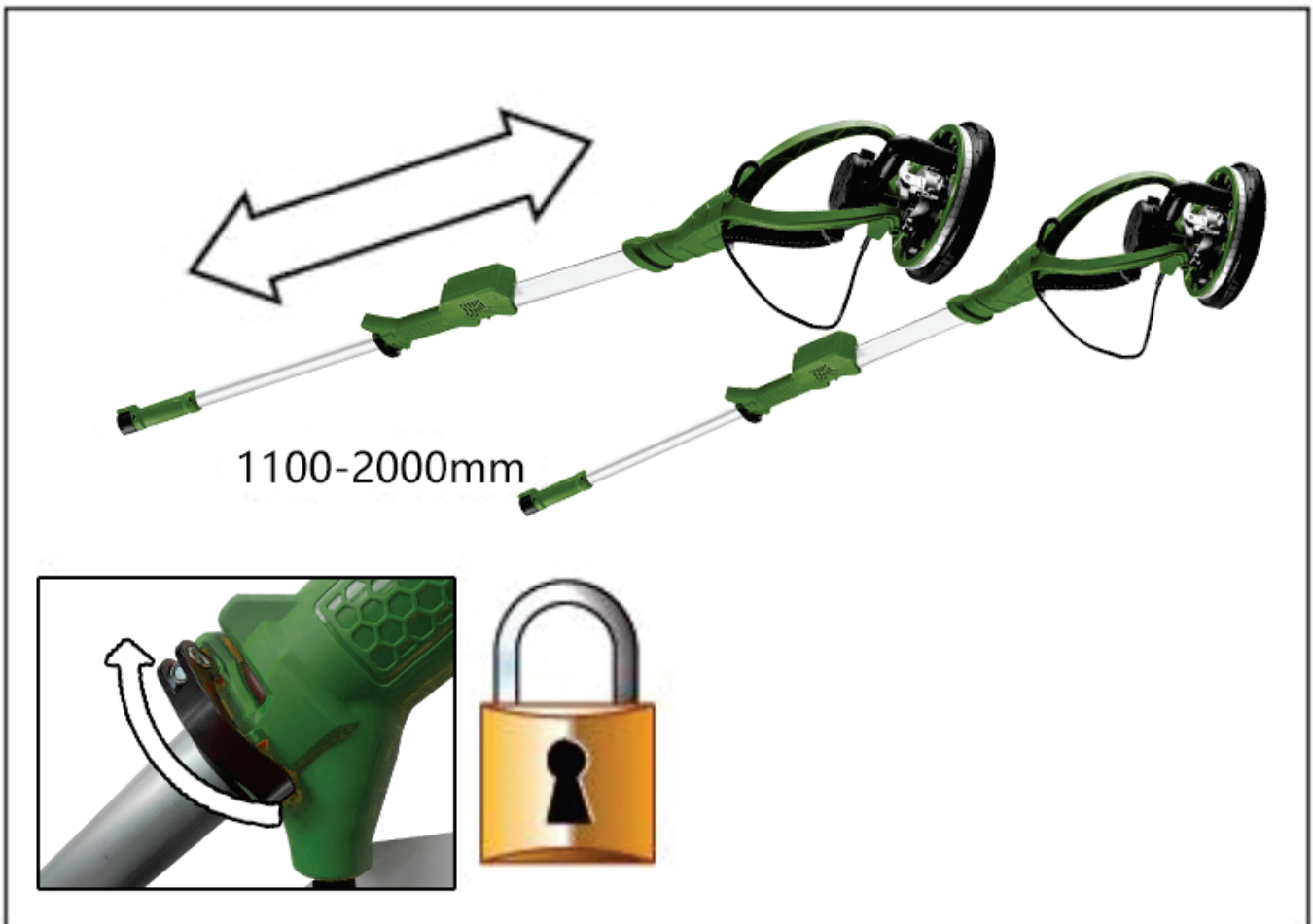
NEVER USE SANDPAPER UNTIL THE BASE PLATE IS CORRECTLY INSTALLED AND FIXED (to prevent accidents and damage to equipment).

4. Position the new base plate in the center of the housing, making sure the plate is completely aligned with the axis of the sander base.

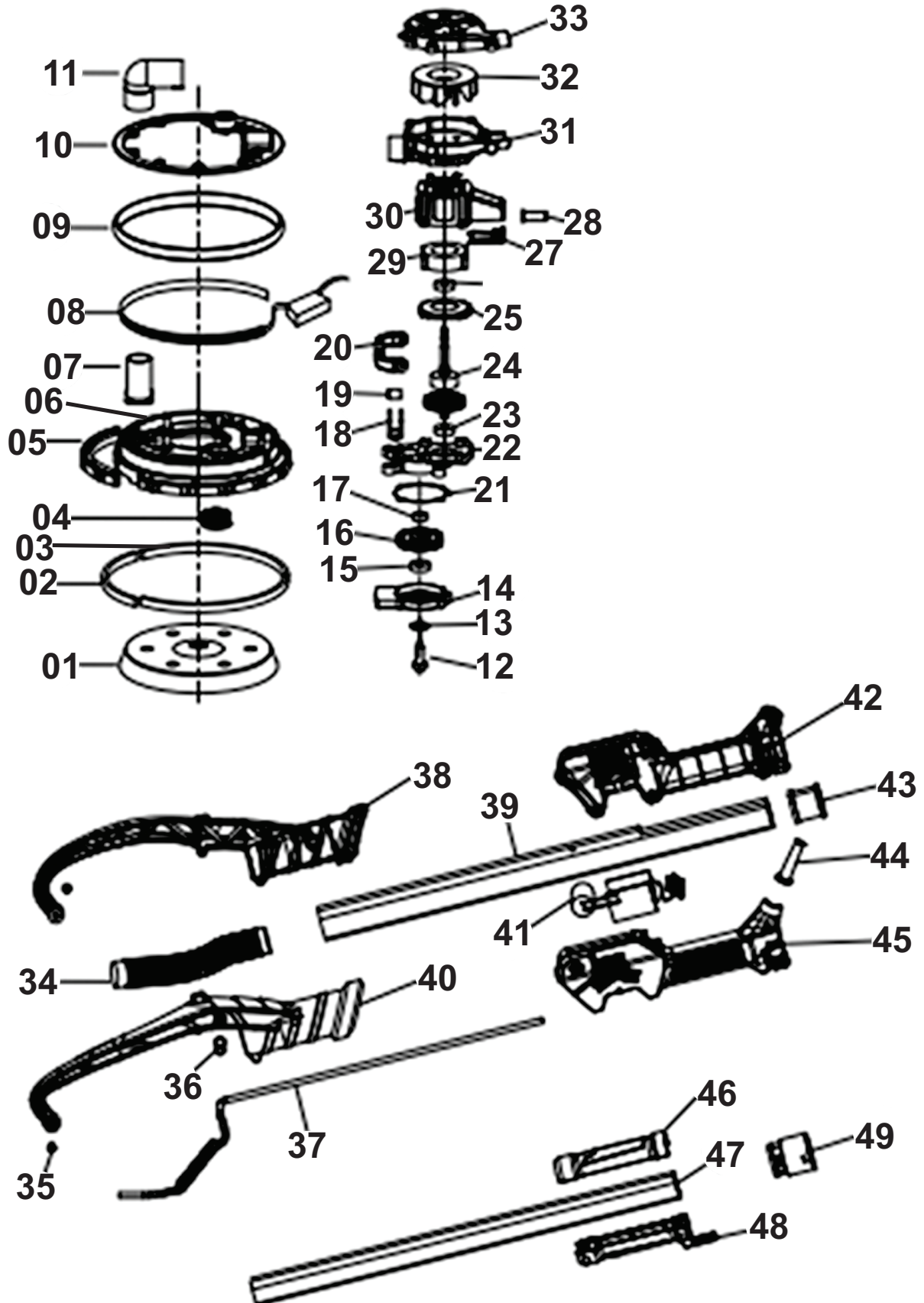
5. Position the metal washer and retaining screw.

6. Turn the screw clockwise to secure the plate (while holding the base plate).

4. ASSEMBLY OF THE EXTENDER CABLE



EXPLODED VIEW



PARTS LIST

Nº	DESCRIPTION	25	LXB850-CS TURBINE SHIELDING
1	BASE PLATE LXB850-CS	26	BEARING 6000 LXB850-CS
2	SHORT BRUSH SEGMENT LXB850-CS	27	LXB850-CS ENGINE LINING BLOCK
3	BRUSH SEGMENT LXB850-CS	28	LXB850-CS CABLE PROTECTION BRACKET
4	LXB850-CS SUCTION ADJUSTMENT KNOB	29	STATOR LXB850-CS
5	DETAILER LXB850-CS	30	LXB850-CS ENGINE HOUSING
6	PROTECTIVE COVER LXB850-CS	31	LXB850-CS TURBINE LOWER COVER
7	LXB850-CS CONNECTOR	32	LXB850-CS TURBINE
8	LED LIGHT + CONTROLLER LXB850-CS	33	LXB850-CS TURBINE TOP COVER
9	LXB850-CS LED PROTECTION RING	34	HOSE 18CM LXB850-CS
10	TOP PROTECTIVE COVER LXB850-CS	35	M6 SCREW LXB850-CS
11	SUCTION ELBOW LXB850-CS	36	SMALLER PROTECTIVE SLEEVE LXB850-CS
12	PLATE FIXATION AXLE LXB850-CS	37	FIVE CORE CABLE 1.2MM LXB850-CS
13	LXB850-CS SHAFT RETAINER	38	RIGHT HANDLE LXB850-CS
14	LXB850-CS GEARBOX COVER	39	FRONT ALUMINUM TUBE LXB850-CS
15	BEARING 6000 LXB850-CS	40	LEFT HANDLE LXB850-CS
16	MAIN GEAR LXB850-CS	41	LXB850-CS SPEED CONTROLLER
17	BEARING 607 LXB850-CS	42	RIGHT HANDLE LXB850-CS
18	LXB850-CS MOBILE SUPPORT FIXED SEAT	43	RUBBER ANTI-DUST RING LXB850-CS
19	PIN 10 X 12 LXB850-CS	44	LARGER PROTECTIVE SLEEVE LXB850-CS
20	MOBILE SUPPORT LXB850-CS	45	LEFT HANDLE LXB850-CS
21	LXB850-CS SEAL	46	RIGHT HANDLE LXB850-CS
22	LXB850-CS GEARBOX	47	LXB850-CS ALUMINUM TUBE
23	BEARING 6000 LXB850-CS	48	LEFT HANDLE LXB850-CS
24	ROTOR LXB850-CS	49	VACUUM OUTPUT CONNECTOR LXB850-CS



WARRANTY TERM

Equipment: BRUSHLESS SANDER LXB850-CS

Technical Delivery: No () Yes () Date ____/____/____

1) Warranty Conditions:

1.1 Upon receiving the equipment it is necessary for the buyer to check its conditions, and its set of parts, and any claim for missing objects or other damages only will be accepted if observed at the time of delivery, before signing the note stub purchase tax. This must be communicated immediately to the supplier.

1.2 The warranty period of this equipment is 03 (three) months by force of law (legal warranty) + 03 (three) months of extended warranty, totaling 06 (six) months of warranty, counted from from the date of issue of the invoice.

1.3 Under this warranty, the supplier undertakes to repair or replace parts that present defects or manufacturing defects, provided that in accordance with the clauses established in this term.

1.4 During the warranty period, any maintenance that is necessary must be communicated to the supplier, and can only be carried out with their authorization. Such Non-compliance will lead to loss of the warranty.

1.5 The warranty is granted on an exclusive basis for any maintenance or repairs are carried out at the headquarters of the supplier company. The procedure to activate the warranty is will be given by sending a request email to the email address assistencia@nauber.com.br, informing the problem occurred, with photos, and waiting for the guidelines for sending the equipment by courier to the supplier's headquarters, for carrying out the assistance.

1.6 The warranty does not cover shipping or transportation costs for the tool to Technical Assistance Authorized, and the costs will be the responsibility of the consumer.

1.7 The warranty of replaced parts is grouped to the full warranty, not characterizing this forms the extension of the period.

2) Results in loss of the Warranty:

2.1 Defects arising from misuse, inadequate transportation, loss of parts, lack of cleaning of equipment, or other evidence of factors caused by accident or by force of nature, such as; flooding, fire, electrical burning, falling, theft, depredation, and related.

2.2 If the equipment is used on an electrical network outside the specified standards.

2.3 If it is found that the equipment has been tampered with, or subjected to technical interventions not authorized by the supplier, as well as, replacement of parts, alteration of the electrical circuit or security devices.

2.4 Negligence or inappropriateness in the use or handling of the equipment, subjecting it, to applications other of those recommended, or when working under excessive force.

3) The equipment WARRANTY covers MANUFACTURING DEFECTS.

4) THE equipment WARRANTY DOES NOT COVER:

4.1 Defects arising from misuse;

4.2 Inadequate transport;

4.3 Loss of parts;

4.4 Lack of cleaning of equipment or incorrect handling of material, such as:

Allowing material to dry/catalyze inside the equipment or parts, causing clogging of the system;

4.5 Natural wear and tear, that is, parts that make direct contact with the abrasiveness of the material used, such as: Wear on piston, diaphragm, seals, pistons, hoses, pistol repair and the like.

4.6 If the equipment is used on an electrical network outside the specified standards; ,

4.7 If the equipment is used in a pneumatic network outside the specified standards;

4.8 If it is found that the equipment has been tampered with, or subjected to technical interventions that are not authorized by NAUBER MÁQUINAS, as well as replacement of parts and alteration of the circuit electrical or safety devices;

4.9 Negligence or incompetence in the use or handling of the equipment, subjecting it to applications other than those recommended, or working under excessive force.

4.10 In the occurrence of the need for technical assistance, damages are not included in the guarantee due to work stoppage, lost profits, expenses with equipment operators, or materials that deteriorate due to the non-functioning of the equipment, as well, there is no coverage of any personal or material damage to the buyer or to third parties.

4.11 The warranty does not include parts that have wear from use, such as, plungers, discs, sandpaper, and others that are related to time of use and natural wear.

4.12 Defects of painting and general functioning caused by external influences, bad weather, poor conditioning of the equipment, or exposure to chemical products.

4.13 Noise and other factors that may arise due to abnormal conditions of use.

Any questions should be communicated to the After-Sales Department of NAUBER MACHINES.

5) General Provisions:

5.1 If the warranty is activated, and no defects or manufacturing defects are found, it will be the responsibility the buyer to bear the expenses of; labor, parts and inputs through natural wear or misuse, expenses of travel, and accommodation.

5.2 It is recommended that the buyer does not have technical knowledge of using the purchased equipment, contract the technical delivery, which will be charged by the service supplier, according to the complexity of each equipment, to be previously combined in separate negotiation.

5.3 No requests for technical assistance will be received outside of the mentioned conditions in item 1.4, being an indispensable condition for opening the call.

5.4 This warranty will be suspended if the purchased is in default with the supplier. Returning to being in force with the regularization of debts.

The supplier reserves the right at any time to change its equipment and technologies or discontinue them, without an obligation to supply parts of models already sold, as well as, any equipment already sold with inferior technology will not be defective current sales model.